

ROTEL®

RA-1212

STEREO PRE/MAIN AMPLIFIER

TABLE OF CONTENTS

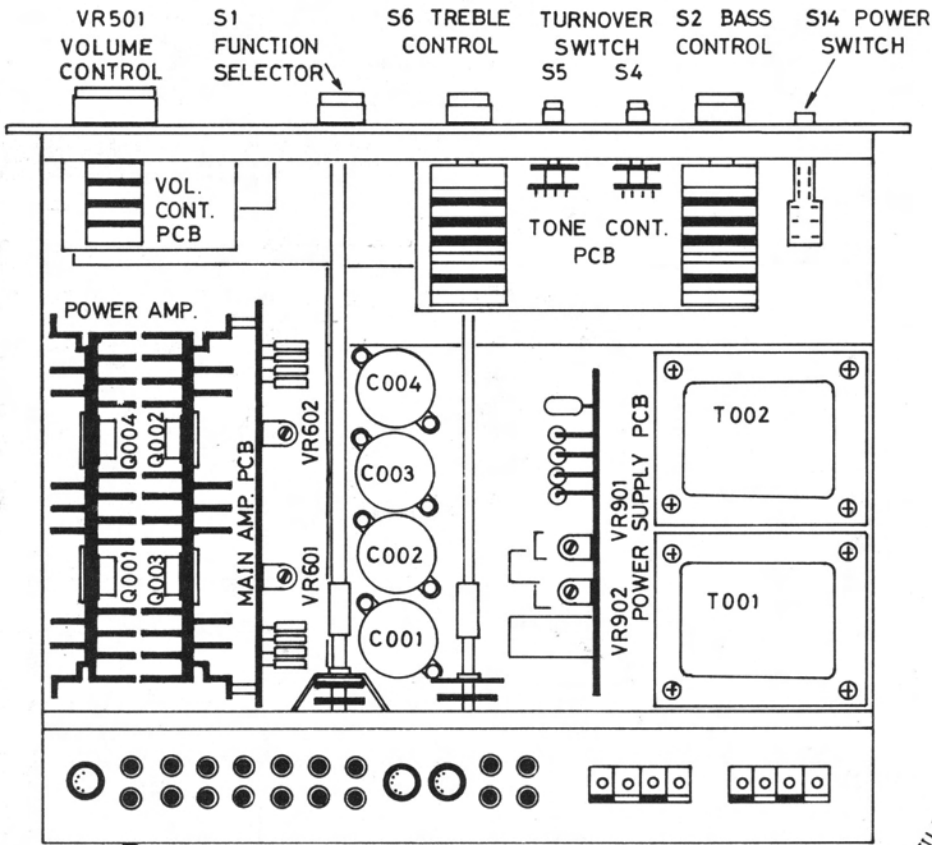
CHASSIS LAYOUT	2
PRECAUTIONS AND POWER AMP. BIAS ADJUSTMENT	3
OVERLOAD PROTECTOR ADJUSTMENT	4
TROUBLE SHOOTING GUIDE	4
GAIN DIAGRAM	5
REPAIR PARTS LIST	5
SCHEMATIC DIAGRAM	6

TECHNICAL MANUAL

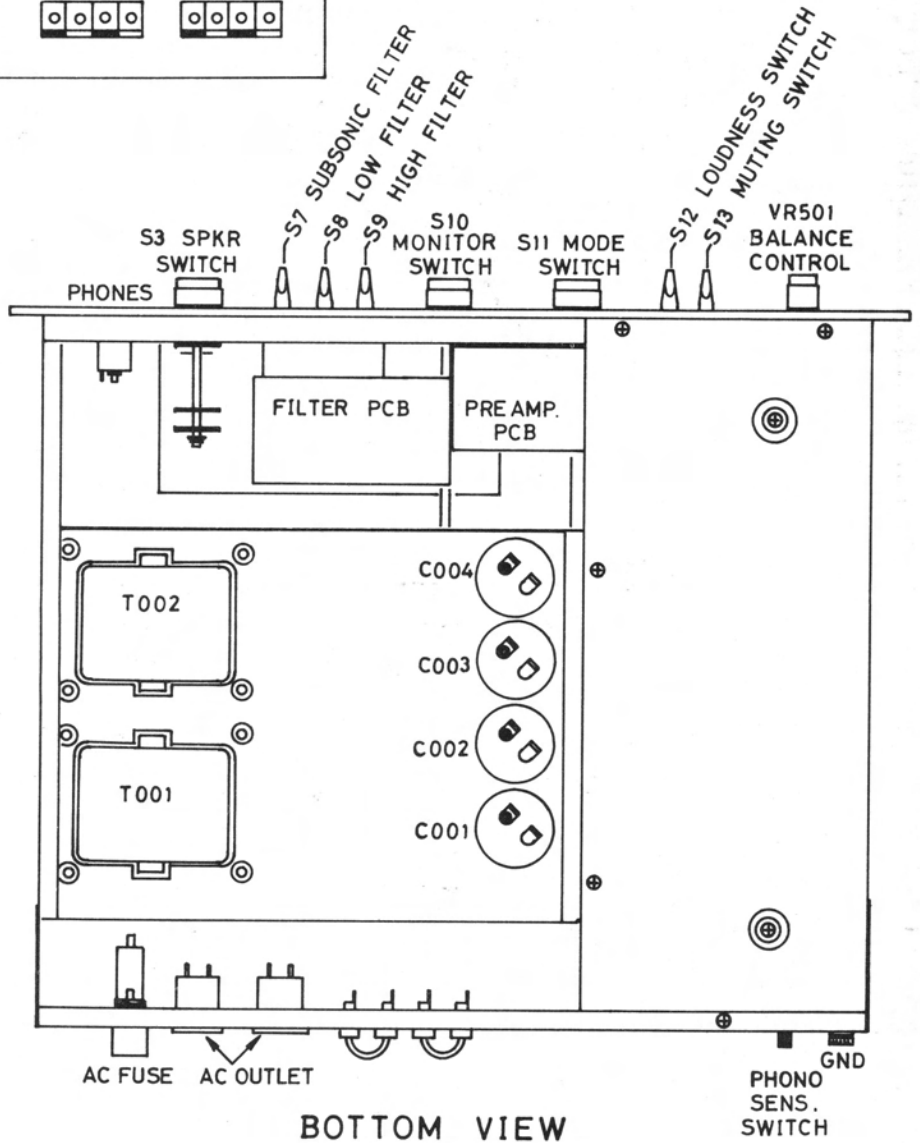
ROLAND ELECTRONICS CO., LTD.

1-36-8, OH-OKAYAMA, MEGURO-KU, TOKYO, 152, JAPAN

CHASSIS LAYOUT



TOP VIEW



BOTTOM VIEW

PRECAUTIONS

1. Always disconnect the chassis from power line when soldering. Turning the power switch OFF is not enough. Power line leakage passing through the heating element may destroy the transistors.
2. Never attempt to do any work on the transistor amplifiers without first disconnecting the AC line cord and waiting until the power supply filter capacitors have discharged.
3. Replacements for output and driver transistors, if necessary, must be made from the same hfe group as the original type.
4. If one output transistor burns out (open or short), always remove all output transistors in that channel

- and check the bias adjustment, the control and other parts in the network with an ohm-meter before inserting a new transistor. All transistors in one channel will be destroyed if the base biasing circuit is open on the emitter end.
5. When mounting a replacement power transistor, be sure the bottom of the flange, the mica insulators and the surface of the heat sink are free of foreign matter, for they may cause transistors failure.
6. Silicon grease must be applied between the transistor and the mica insulator, and between the mica insulator and the heat sink for better heat conduction.

POWER AMPLIFIER BIAS ADJUSTMENT

Instrument: DC milli-volt meter

- Notes:
- a. Set Volume Control is minimum position.
 - b. Set potentiometers VR601 and 602 to counter-clockwise position before starting this procedure.

1. Connect the plus lead of a DC milli-volt meter to test point TP1 (on main amp. pcb) and minus lead to TP3.
2. Adjust the potentiometer VR601 to obtain a 15mV reading on DC milli-volt meter.
3. Repeat the above steps 1 and 2 for Right Channel (use test point TP2, 4 and potentiometer VR602).

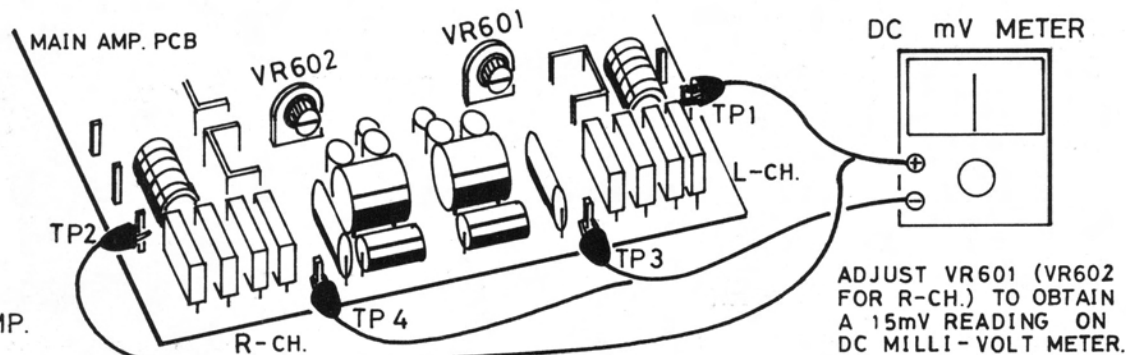


FIG. 1
POWER AMP.
BIAS ADJ.
HOOK-UP

OVERLOAD PROTECTOR ADJUSTMENT

Instruments: Audio Generator and H.D. Analyzer

Note: This adjustment must be expedited by operating one channel driven each.

1. Connect a 4-ohm, 100W, resistor across one of the speaker terminals (Left or Right channel). Then, connect H.D. Analyzer parallel to the load resistor.
2. Connect Audio Generator to the AUX input terminal and feed 1 kHz (sine wave) signal through the input.
3. Set the volume control of amplifier all the way to clockwise. Adjust the attenuator of Audio Generator so that the output of amplifier is at 1% distortion.
4. Adjust the potentiometer (VR901 for Left channel, or VR902 for Right channel) so that the overload protector just activates (i.e., the protection relay goes OFF).
5. Repeat the steps 1 through 4 for the other channel.

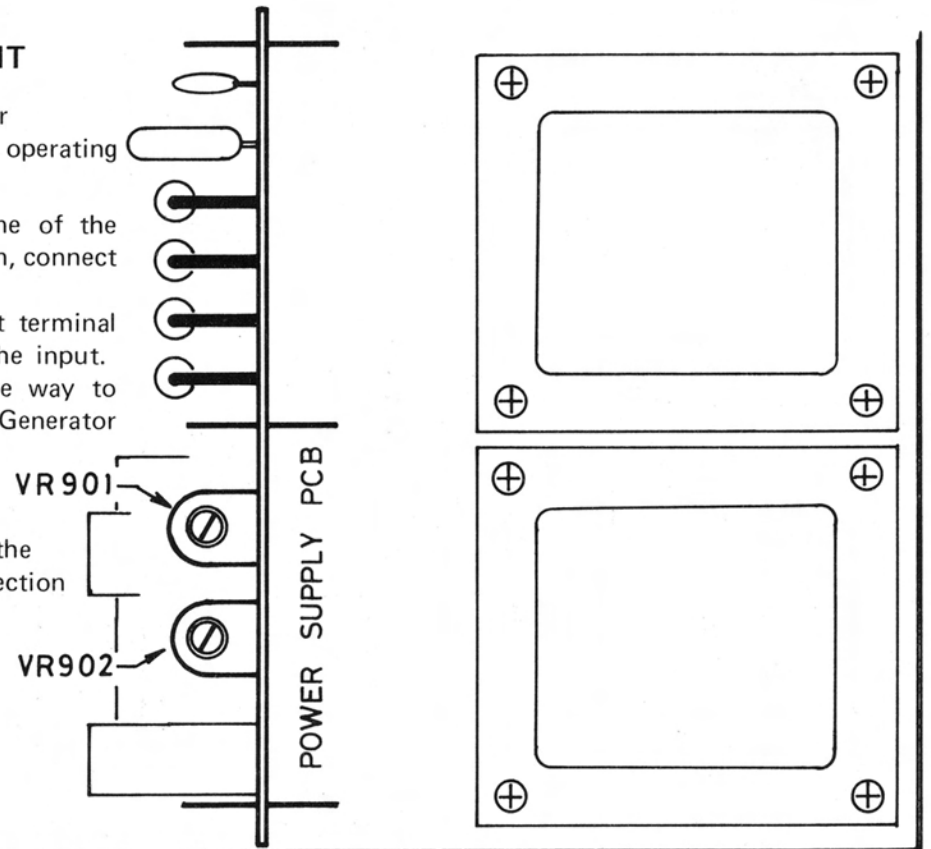


FIG. 2 CHASSIS TOP VIEW
(POWER SUPPLY PORTION)

TROUBLE SHOOTING GUIDE

I. Unit Inoperative

- A. Pilot lamp does not light, — check AC Fuse.
1. If AC Fuse is blown,
 - a. Primary or Secondary winding of Power Transformer may be shorted, or
 - b. Capacitor C427, 428, 901, 902, 903, 904, 905, 906, 001, 002, 003 or 004 may be shorted, or
 - c. Diode D901, 902, 903, 904, 905, 906, 907 or 908 may be shorted, or
 - d. Transistor Q001, 002, 003 or 004 may be shorted out.
 2. If AC Fuse is OK,
 - a. Power switch may be faulty, or
 - b. AC Fuse connection may be faulty.
- B. Pilot lamp lights, check to see if the Overload Protection Relay operates properly.
1. If the Relay does not operate,
 - a. Transistor Q605, 606, 610, 611 or 612 may be shorted, or
 - b. Output circuits (including speaker system) may be shorted, or
 - c. Overload Protection Relay may be faulty, or
 - d. Power switch may be faulty.

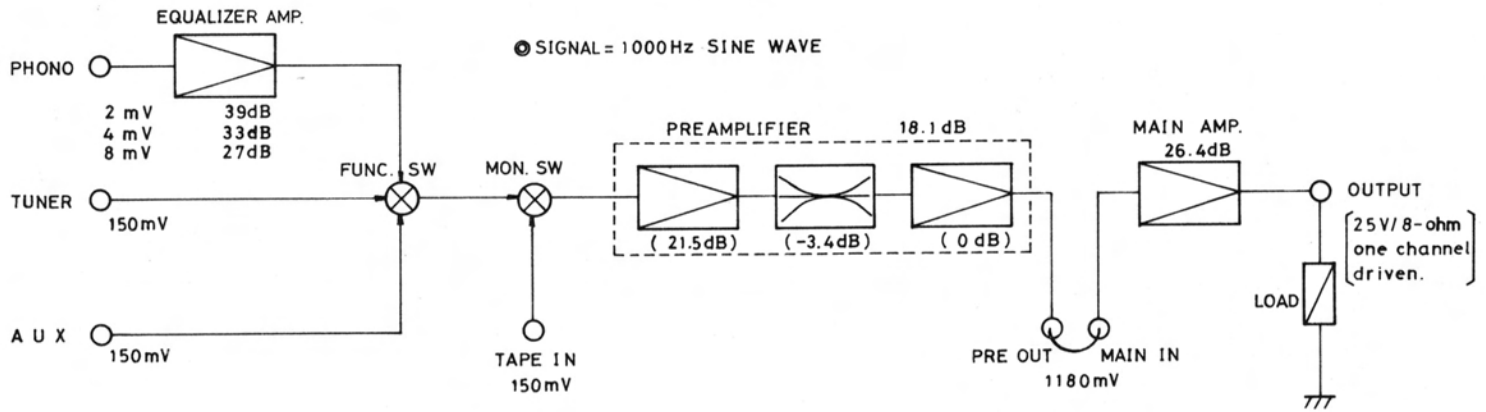
II. Left or Right channel inoperative

- A. If there is a signal at the input terminal of main amp. pcb.
1. Capacitor C601 (C602 for R-ch.) may be faulty, or
 2. Transistor Q601, 603 or 605 (C602, 604 or 606 for R-ch.) may be faulty, or
 3. Overload Protection Relay may be faulty, or
 4. Primary or Secondary winding of Power Transformer may be opened.
- B. If there is no signal,
1. Check the each transistor of preamplifier circuits.
 2. Check the each coupling capacitor of preamplifier circuits.

III. Phono section inoperative, hum and/or noise

- A. Check the each transistor of phono amplifier circuits.
- B. Check the each coupling capacitor of phono amplifier circuits.

MODEL RA-1212 GAIN DIAGRAM

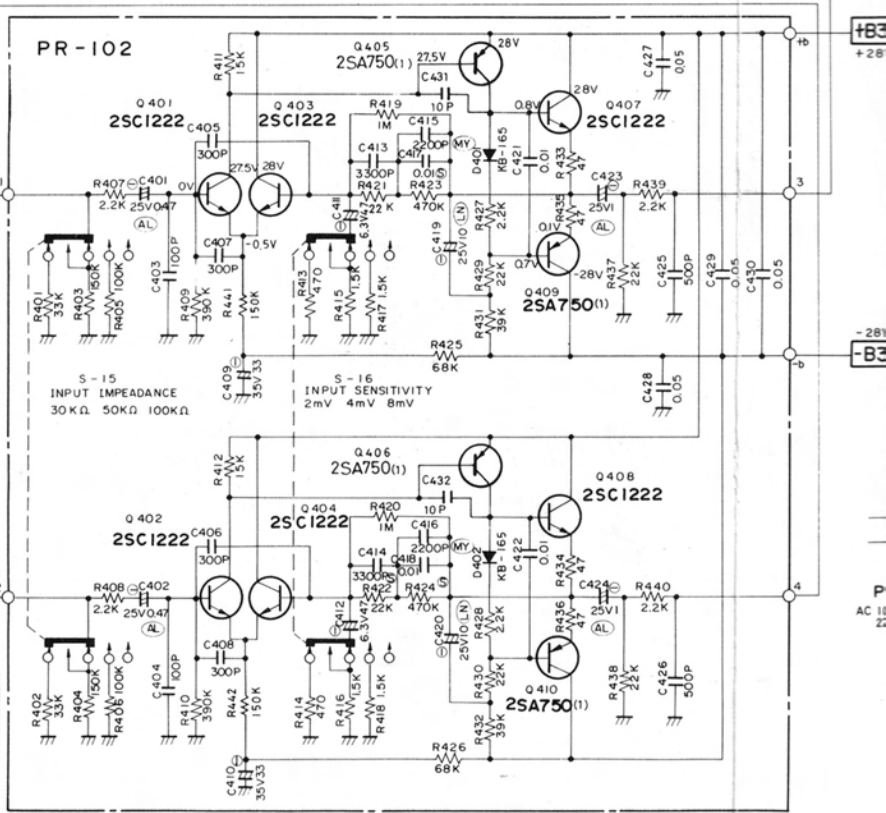
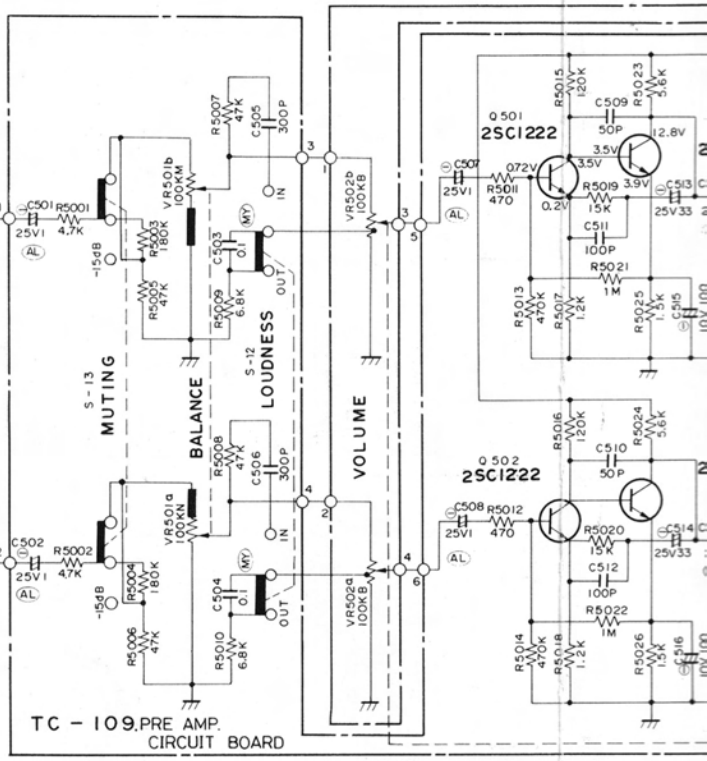
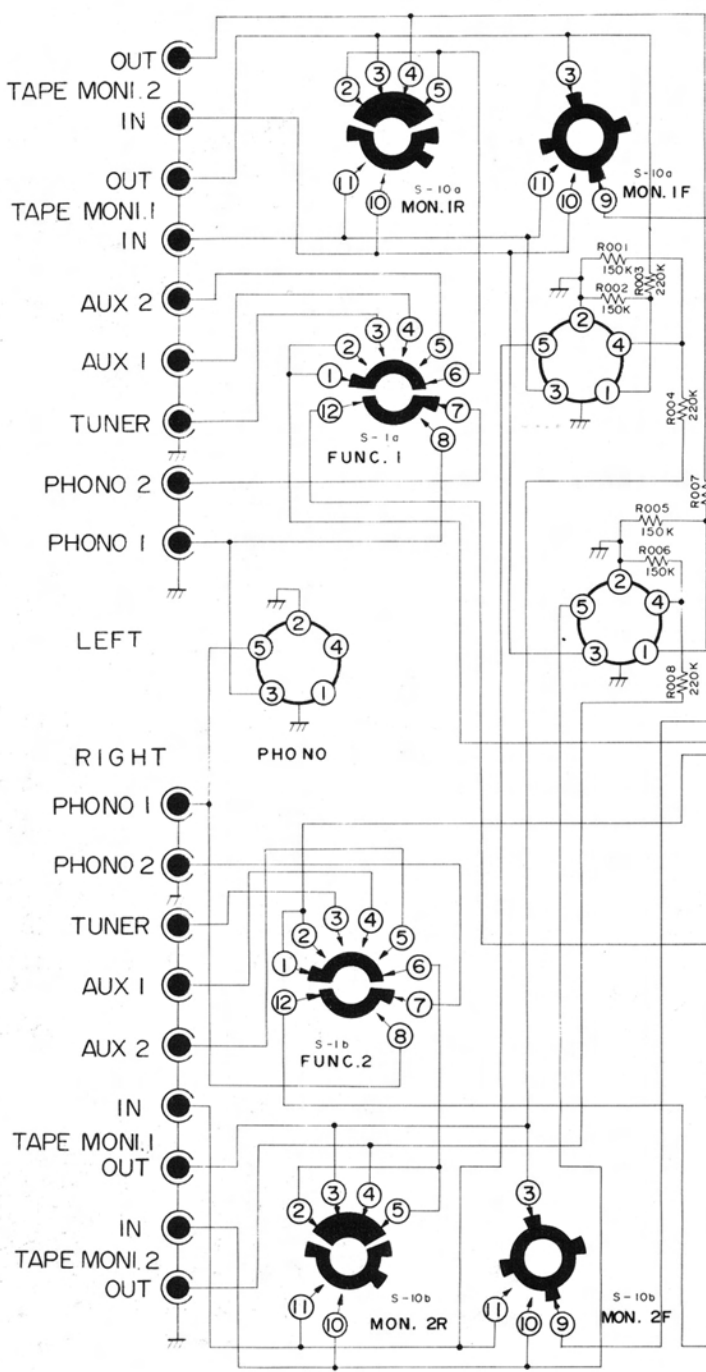


REPAIR PARTS LIST

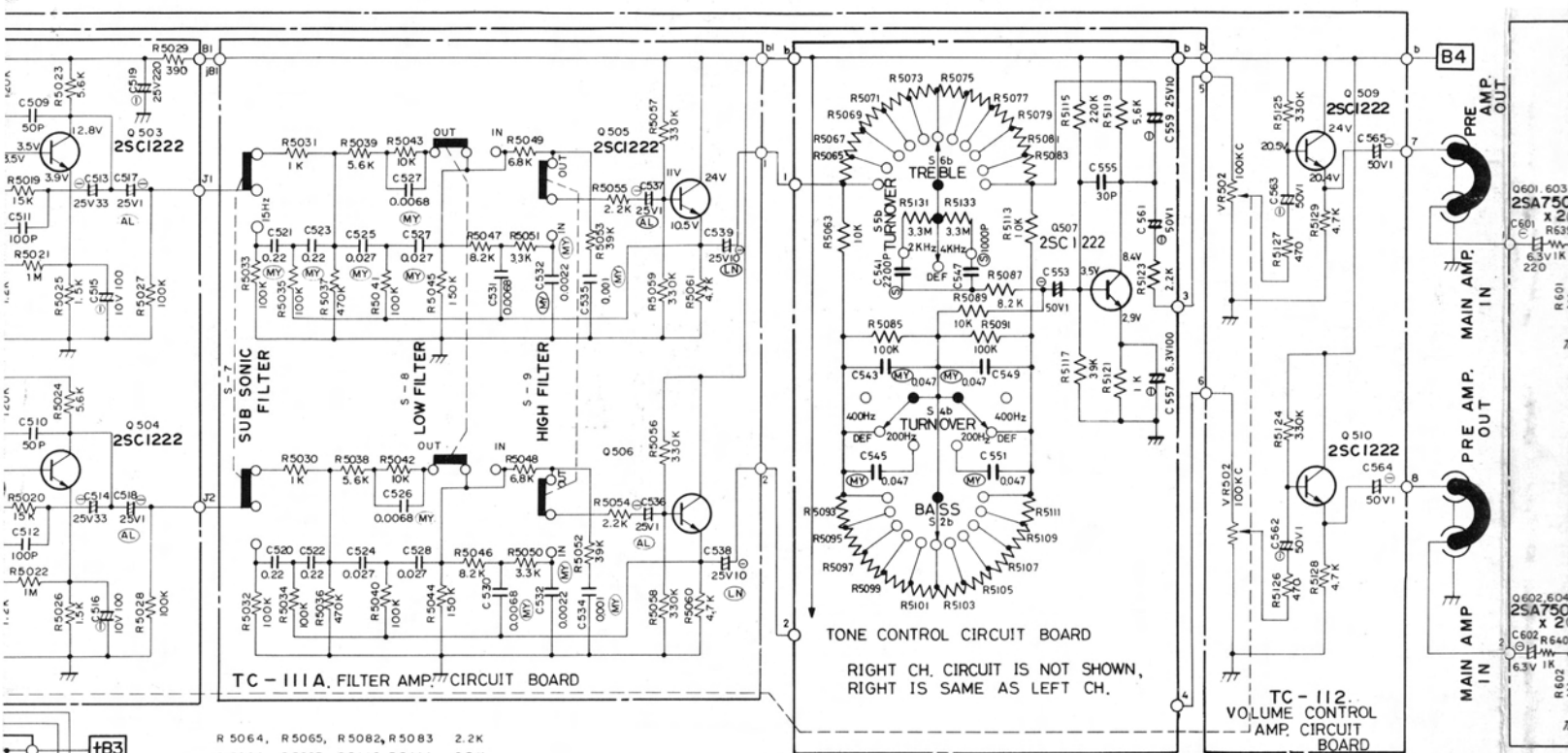
Schematic Location	Description	Part No.
TRANSISTORS AND DIODES		
Q401, 402, 403	2SC1222, Phono Amp.,	301201156
404, 407, 408	Preamp., etc.	
501, 502, 503,		
504, 505, 506,		
507, 508, 509,		
510, 904.		
Q405, 406, 601	2SA750 (1) (E), Phono Amp.,	301001134
602, 603, 604.	Main Differential Amp.	
Q605, 606.	2SC1628 (Y), Predriver	301201161
Q607, 608, 903.	2SC1384, Main Amp. Bias	301201132
	Compensator, etc.	
Q609, 610	2SC1567, Driver	301201158
Q611, 612, 902.	2SA794, Driver -B Stabilizer	301001135
Q901.	2SC789, +B Stabilizer	301201142
Q905, 906.	2SA750 (E), Overload Detector	301001133
Q001, 002, 003,	2SD426, Power Amp.	301301130
004.		
D401, 402.	KB-165, Phono Amp. Bias	300212008
	Compensator	
D901, 902, 903,	ERD03-02, Rectifier	300919020
904, 905, 906,		
907, 908.		
D909, 910.	BZ-270, Zener Regulator, 27V	300313006
D001, 002.	SV-02, Power Amp. Bias	300212011
	Compensator	
VARIABLE RESISTORS		
VR501.	100K MN, Balance Control	525101132
VR502.	100K BTx2 +100K Cx2,	525121136
	Volume Control	
VR601, 602.	1 KB, Power Amp., Bias Adj.	510502119
VR901, 902.	10 KB, Overload Protection	510502125
	Level Adj.	

Schematic Location	Description	Part No.
SWITCHES		
S1.	Function Selector	601011270
S2, 6.	Tone Control	601011274
S3.	Speaker Selector	601011265
S4, 5.	Turnover Selector	601011279
S7,8,9 (1 set)	Lever 3-key, High Filter, etc.	611001636
S10.	Monitor	601011271
S11.	Mode	601011276
S12, 13. (1 set)	Lever 2-key, Loudness, Muting	611001634
S14.	Power Supply	614010117
S15, 16.	Phono Input Sensitivity	613000023
	Selector, etc.	
MISCELLANEOUS		
T001, 002.	Power Transformer (Multivoltage)	205001394
	Power Transformer (220V/240V)	206001394
RY901.	Overload Protection Relay	240111226
PL001.	Lamp, 8V, 0.15A, Pilot	351080015
F001.	Fuse, 5A-3AG, (AC 100V/120V)	341220050
	Fuse, 2.5A, (AC 220V/240V)	341220025
	Phono Amp. Circuit Board	141510151
	Assembly	
	Preamplifier Circuit Board	141710268
	Assembly	
	Filter Circuit Board Assembly	141710269
	Tone Control Circuit Board	141710271
	Assembly	
	Volume Control Circuit Board	141710270
	Assembly	
	Main Amplifier Circuit Board	141610274
	Assembly	
	Power Supply Circuit Board	141810631
	Assembly	

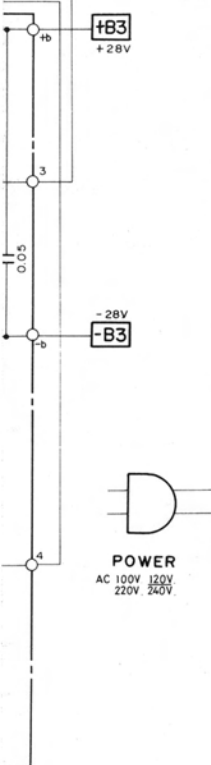
SCHEMATIC DIAGRAM



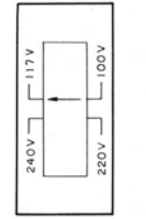
ITEM	EQUALIZER AMP.	TONE CONTROL AMP.	MAIN AMP.	POWER SUPPLY	CHASSIS
SCHMATIC LOCATION (LAST)	R 442 C 432	R 5133 C 564	R 640 C 626	R 911 C 910	R 015 C 005



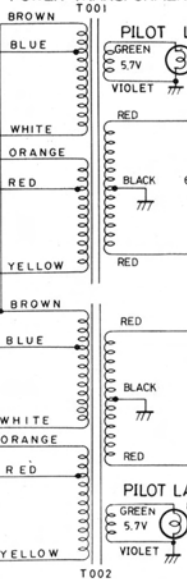
- R 5064, R 5065, R 5082, R 5083 2.2K
- R 5092, R 5093, R 5110, R 5111 2.7K
- R 5066, R 5067, R 5080, R 5081 3.9K
- R 5094, R 5095, R 5108, R 5109 4.7K
- R 5068, R 5069, R 5078, R 5079 4.7K
- R 5070, R 5071, R 5076, R 5077 5.6K
- R 5096, R 5097, R 5106, R 5107 5.6K
- R 5074, R 5075 6.8K
- R 5098, R 5099, R 5104, R 5105 8.2K
- R 5100, R 5101, R 5102, R 5103 1.2K



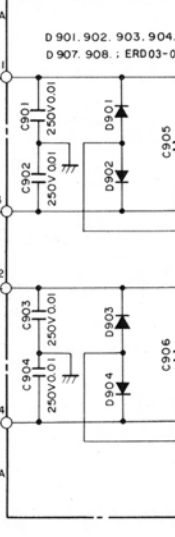
VOLTAGE SELECTOR



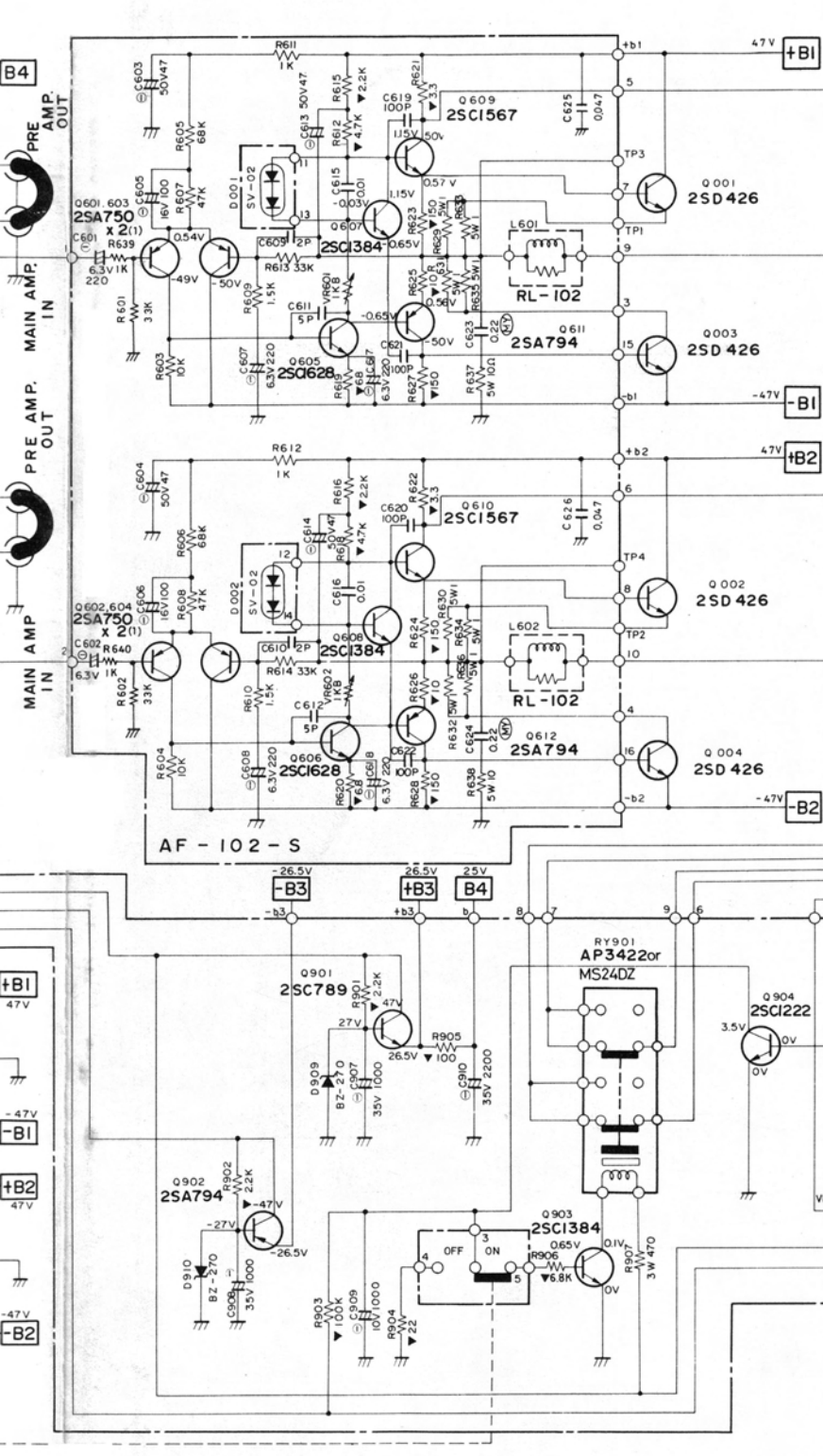
POWER TRANSFORMER T001



B-109 B-S



POWER SW.



(RESISTORS)
 5% TOLERANCE UNLESS OTHERWISE NOTED. K---KILO OHM.
 M---MEGA OHM.
 NON MARK---LOW NOISE TYPE CARBON RESISTORS 1/4 WATT.
 (CAPACITORS)
 ○---LOW NOISE TYPE CAPACITORS. ⊗---MYLAR FILM CAPACITORS.
 ⊕---SINTERED ALUMINUM SOLID ELECTROLYTIC CAPACITORS (ALSCON).
 ⊖---POLYSTYRENE CAPACITORS. ⊕---ELECTROLYTIC CAPACITORS.
 NON MARK---CERAMIC CAPACITORS. ⊖---POLYPROPYLENE FILM CAPACITORS.
 *---UNLESS OTHERWISE NOTED IN SCHEMATIC ALL CAPACITANCE VALUES ARE EXPRESSED IN MFD.
 • VOLTAGE READING WITH VTVM FROM THE POINT SHOWN TO THE CHASSIS GROUND (LINE VOLTAGE 120VOLT).
 • VOLTAGE READING MAY VARY ±20 %.

